

EXHIBIT 4  
DOCK DESIGN  
CONCEPT A

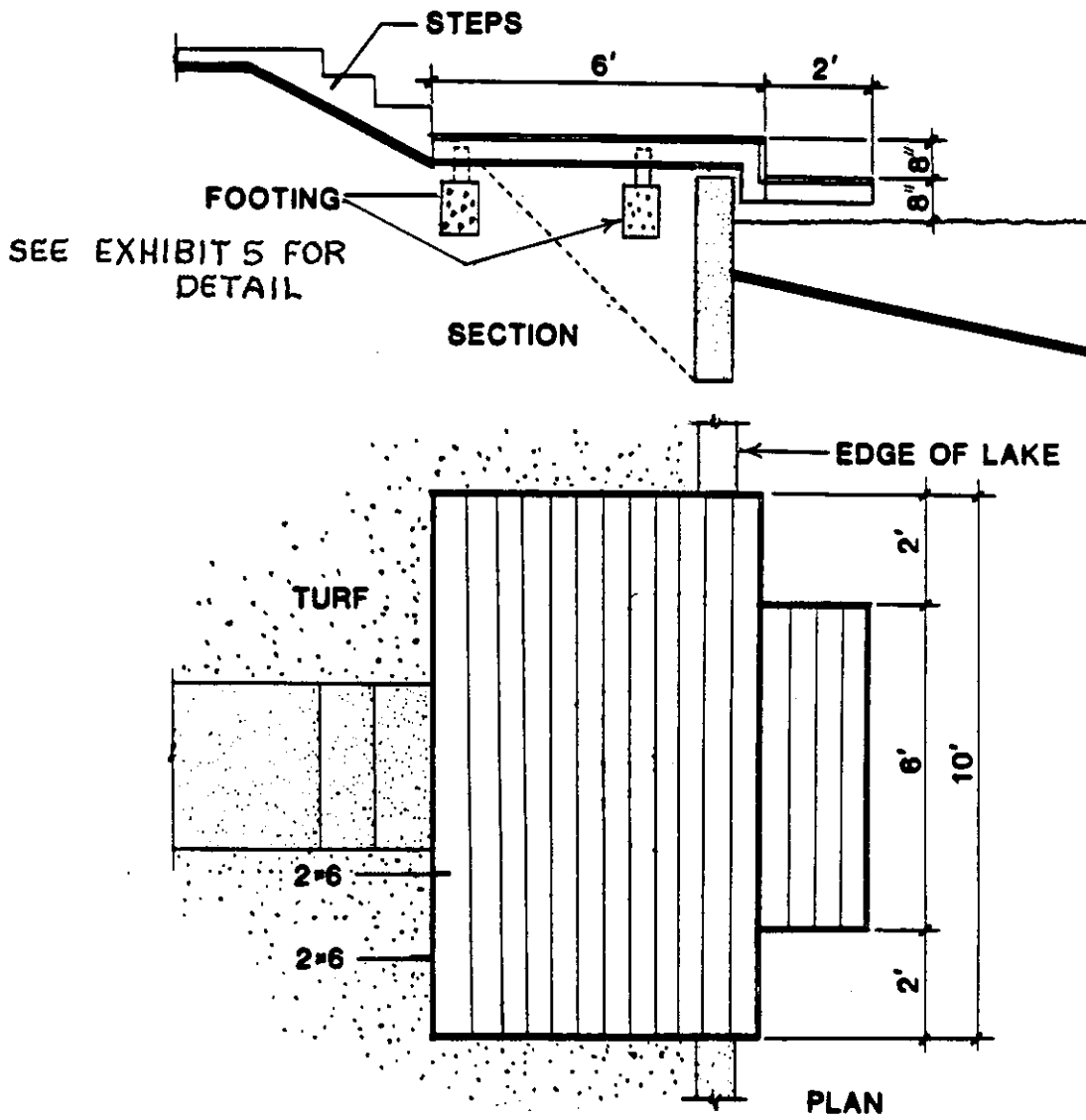
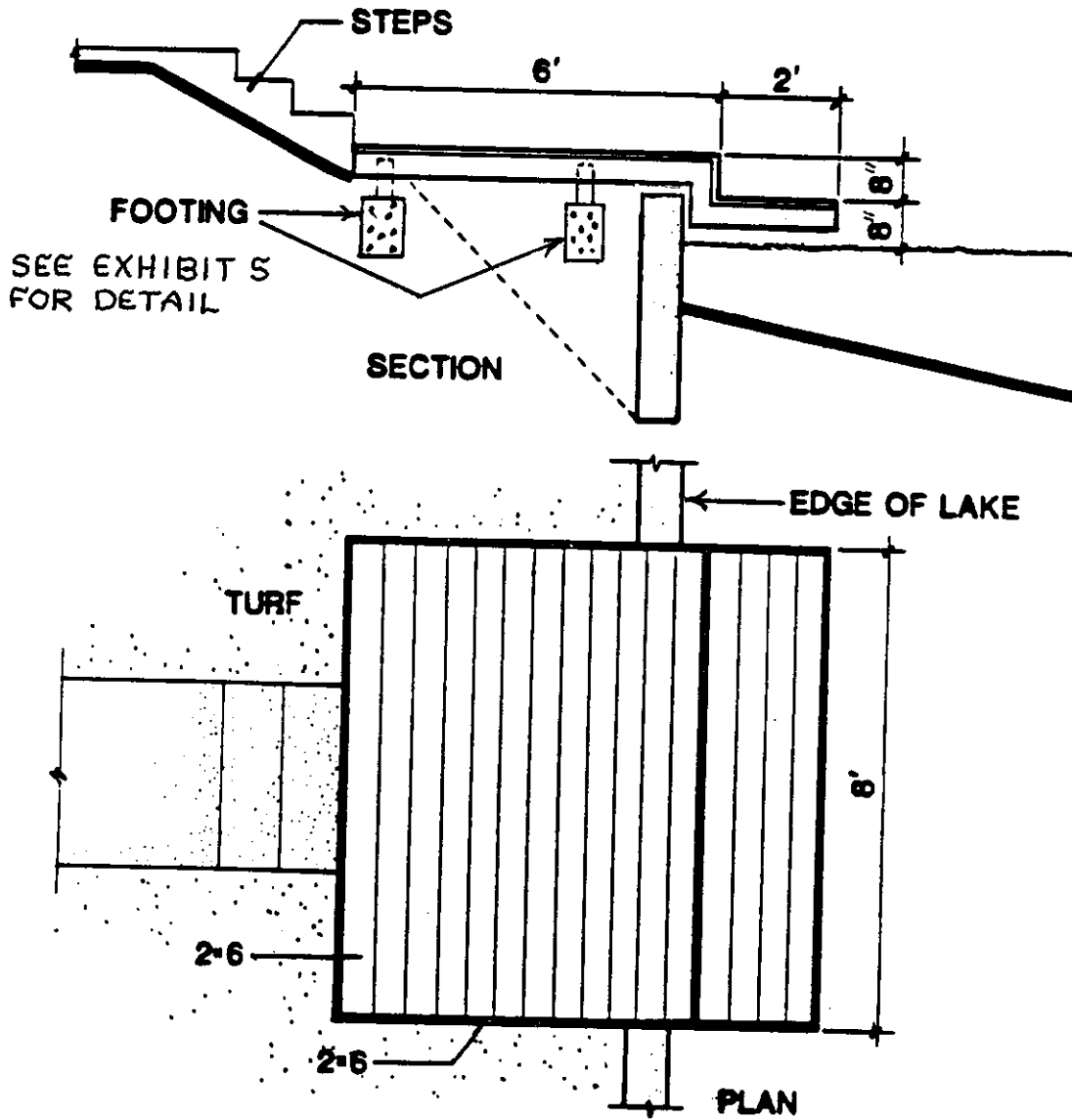
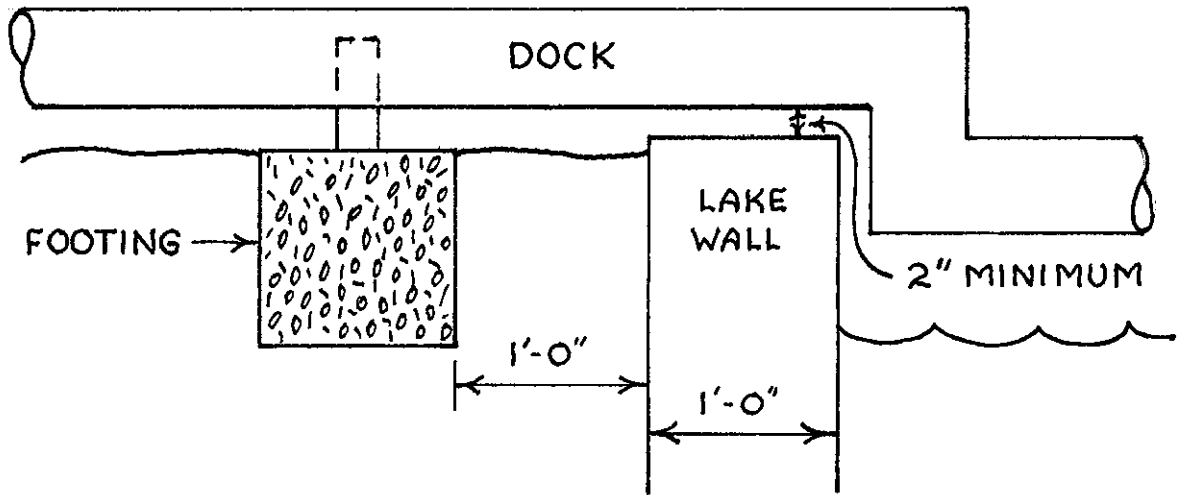


EXHIBIT 4  
DOCK DESIGN  
CONCEPT B



**EXHIBIT 5  
DOCK INSTALLATION FOOTING DETAIL**



**EXHIBIT 6  
EASEMENT AND LAKE WALL**

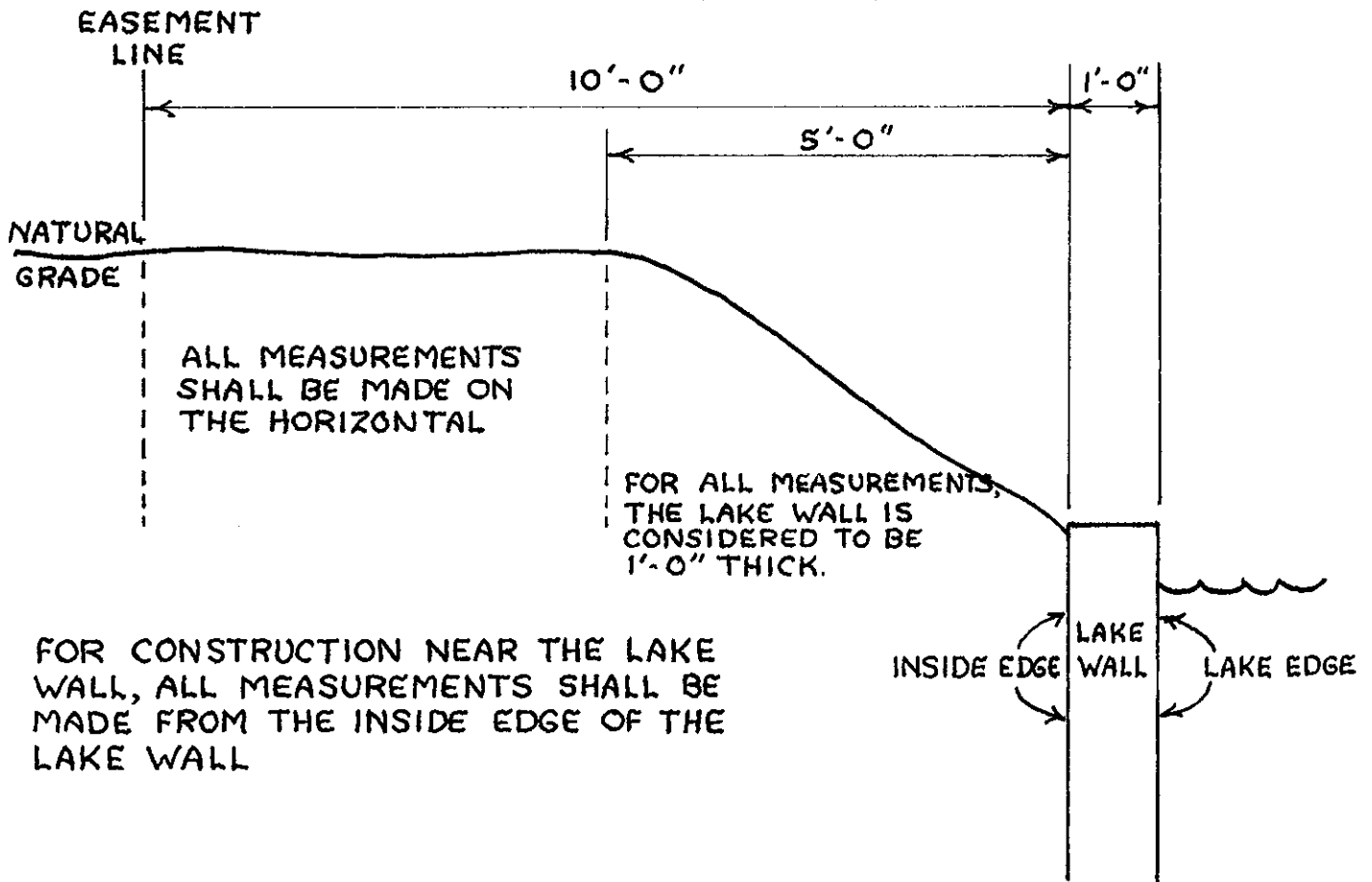
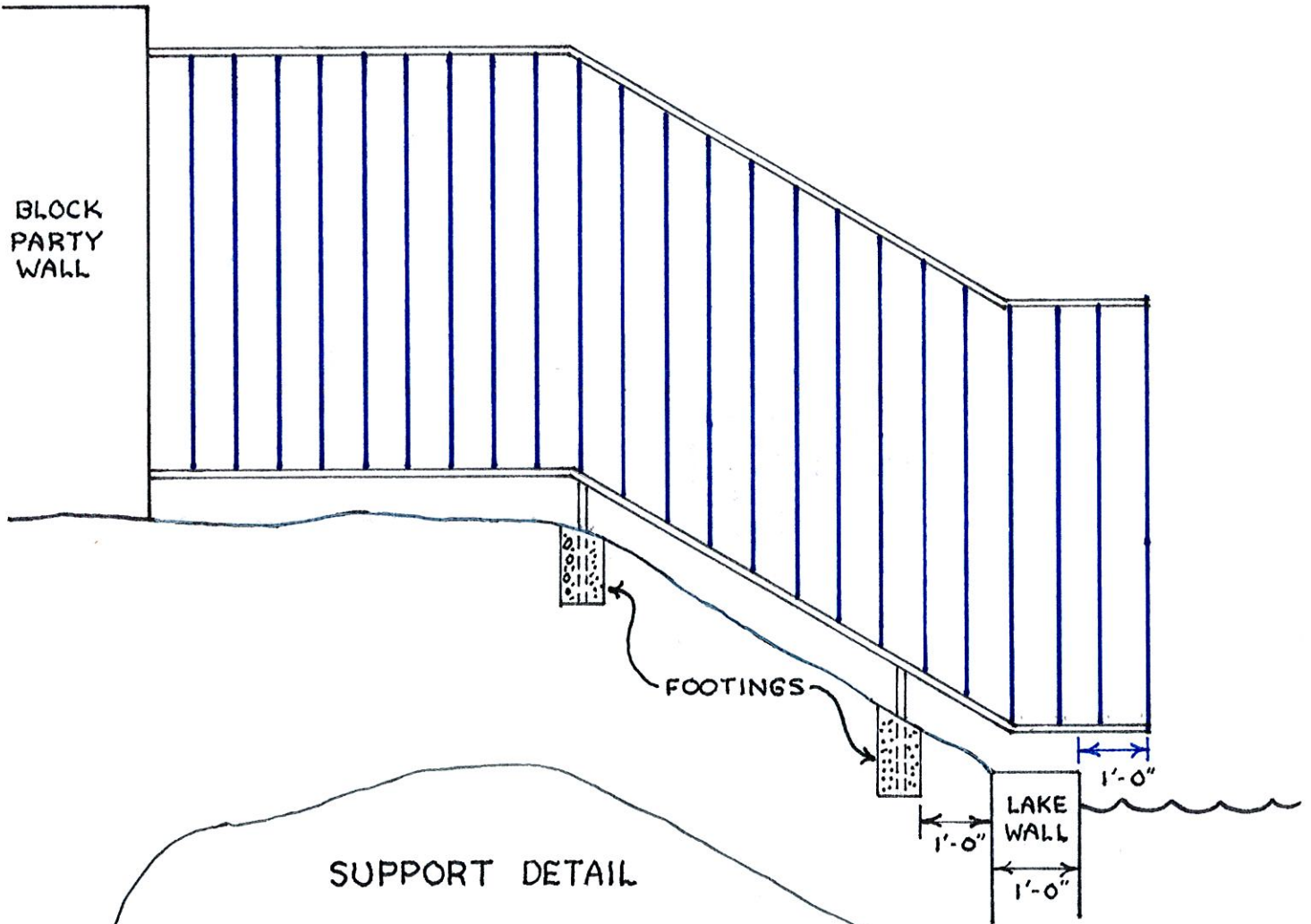


EXHIBIT 7  
VIEW FENCE AND SUPPORT NEAR LAKE WALL



SUPPORT DETAIL

